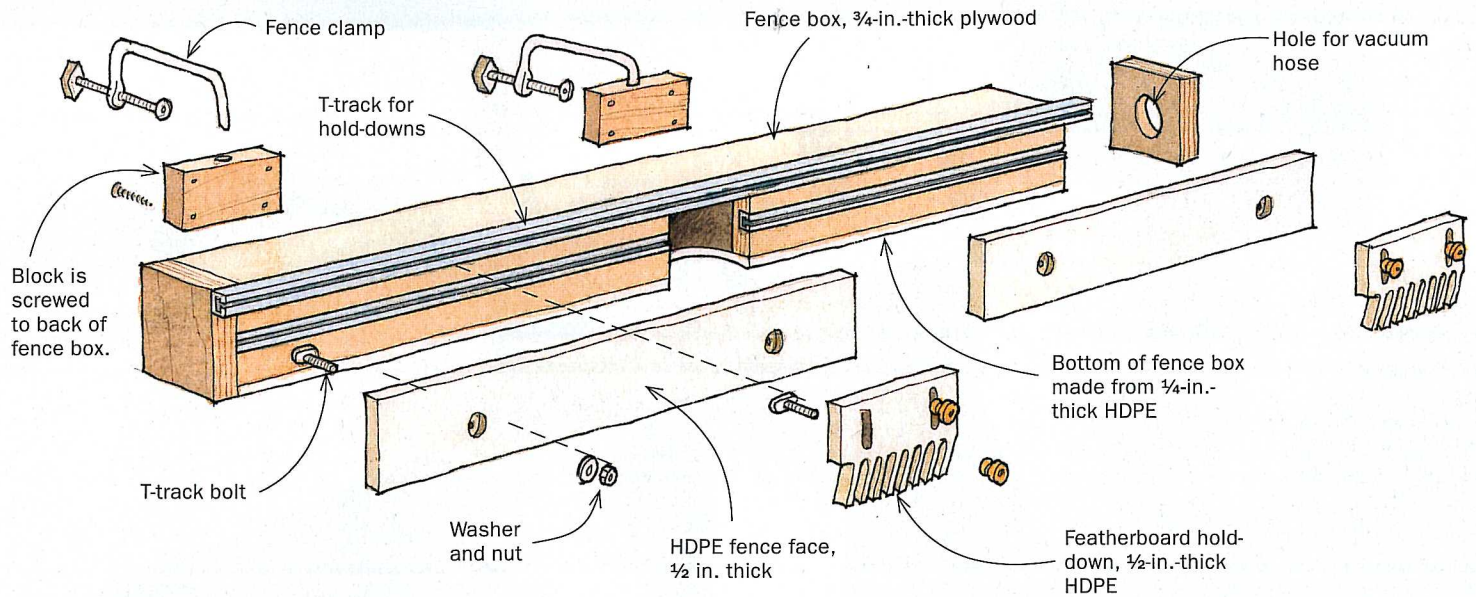


methods of work

EDITED AND DRAWN BY JIM RICHEY



Best Tip Fence transforms tablesaw into a real router table



David Diaman is a period furniture maker who builds mostly Queen Ann and Chippendale pieces, but he also enjoys building from the William and Mary and Federal periods. Some of his work can be seen at www.Diamanwoodcrafters.com.

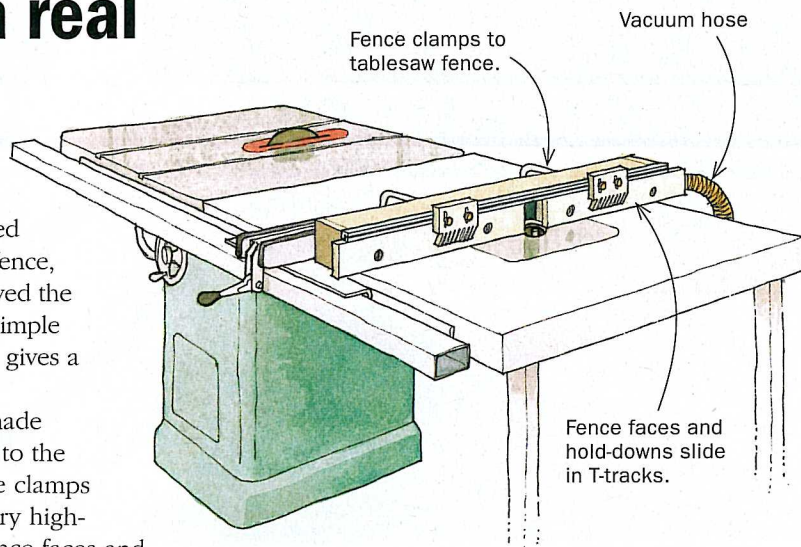
Installing a router table in my tablesaw's extension table saved a huge amount of shop space, but I needed to turn the rip fence into a router-table fence, and figure out how to collect dust. I solved the problem with an auxiliary fence that is simple to build, fast to put on and take off, and gives a neat way to collect dust at the source.

The fence is basically a hollow box made from 3/4-in.-thick plywood that attaches to the tablesaw fence with two universal fence clamps (Rockler.com; No. 31373). I used slippery high-density polyethylene (HDPE) for the fence faces and bottom, but melamine or plywood would work, too.

The faces are mounted on T-tracks so they can be slid back and forth to create an opening for different-size bits. They can also slide together to create a zero-clearance effect, if desired. The T-track above the fence faces is for hold-downs and stops.

I drilled a hole in one end of the fence to match my shop-vacuum hose, which draws air through the opening in the fence and almost eliminates dust. The entire setup works great.

—DAVID DIAMAN, Abingdon, Md.



A Reward for the Best Tip

Send your original tips to Methods of Work, *Fine Woodworking*, PO Box 5506, Newtown, CT 06470, or email fwmow@taunton.com. If published, we pay \$50 for an unillustrated tip; \$100 for an illustrated one. The best tip wins Bosch's 12V combo kit (CLPK21-120), which includes an impact driver and a screwdriver.

